

Size XXS - XL
Quick & Sleek

Print only the
sizes you need
using the Layers
function



Lindy Petal Skirt
Digital PDF Sewing Pattern
itch-to-stitch.com

DESCRIPTION

Lindy Petal Skirt is a simple knit pencil skirt with an elastic waistband. It features two overlapping curved front panels that resemble two petals. It is figure-hugging and showcases your curves. Lindy Petal Skirt is a quick sew; even starting as a late night project, you will finish in time to wear to the office the next day!

LINDY PETAL SKIRT FEATURES

- Close-fitting knit pencil skirt
- High-sitting waistband with elastic
- Two overlapping curved front panels
- Six sizes (XXS - XL)
- Layers feature--print only the sizes you need

What is the "layers" feature?
 In this PDF, you can choose to turn off the sizes you don't need, so there are no more distracting lines in the pattern! See page 4 for instructions.

TERMS OF USE

You may make garments from this pattern for personal use and for sale. However, you may not sell or distribute the pattern and instructions in their digital or printed form. If your friends or family would like to have a copy, please refer them to Itch-to-Stitch.com to get a copy of the PDF Pattern for their individual use.

SIZING

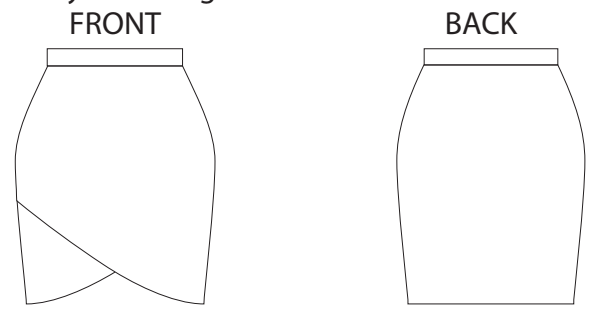
This pattern includes women's size XXS to XL. Lindy Petal Skirt is close-fitting with a small amount of negative ease, which means the finished garment is smaller than your body, so that it stretches to accommodate your figure.

However, fit is also a matter of personal taste; therefore, it is important to check both the "Body Measurements" and "Finished Garment Measurements" tables to find your best fit. You may like a more relaxed fit or a tighter fit, and you can choose your size accordingly.

CHOOSING YOUR SIZE

1. Compare your fullest hip measurements to the "Body Measurements" table. Choose the size that fits your hip best. If you are in between sizes, pick the larger size if you like a looser fit; otherwise pick the smaller size.
2. Compare your waist measurements to the "Body Measurements" table. Choose the size that fits your waist best. If you are in between sizes, pick the larger size if you like a looser fit; otherwise pick the smaller size.
3. It's OK to use different sizes for the waist and hip. All you have to do is print the sizes that you need (see "Printing Instructions" on page 4), and blend the lines from one size to the next from the waist to the hip (see "Blend Sizes" on page 6).

I highly recommend that you **check your fit by making a test garment with inexpensive fabrics** that have similar thickness and stretchiness as your final garment fabrics.



BODY MEASUREMENTS

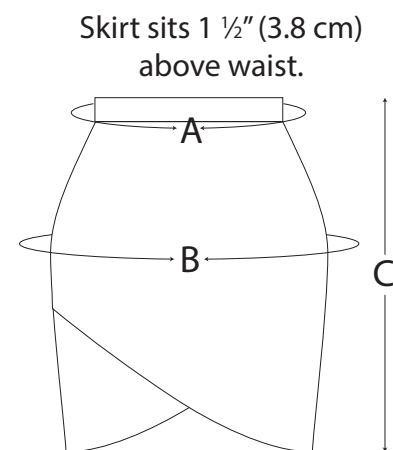
(in)	XXS	XS	S	M	L	XL
WAIST	23 7/8	26 7/8	29 7/8	33	36	39
HIP	34	37	39 7/8	42 7/8	45 3/4	48 3/4

(cm)	XXS	XS	S	M	L	XL
WAIST	60.5	68.5	76	83.5	91.5	99
HIP	86.5	94	101.5	109	116.5	124

FINISHED GARMENT MEASUREMENTS

(in)	XXS	XS	S	M	L	XL
A	23 3/4	26 3/4	29 7/8	32 7/8	35 7/8	39
B	33 1/2	36 3/8	39 3/8	42 1/4	45 1/4	48 1/4
C	21 5/8 for all sizes					

(cm)	XXS	XS	S	M	L	XL
A	60.5	68	76	83.5	91.5	99
B	85	92.5	100	107.5	115	122.5
C	55 for all sizes					



MATERIALS

PRIMARY FABRIC Use medium-weight 2-way or 4-way drapery knit fabric with at least 50% width-wise stretch. For example, your fabric, when folded in half, should be able to stretch from 4" to at least 6" (10 cm to 15 cm). Matte jersey, jersey and ITY knit are good choices. Woven fabrics are not recommended.

OTHER MATERIALS

- ◇ 1 1/2"-wide (4 cm-wide) knit elastic as long as your waist - you can go up to 1 3/4"-wide (5 cm-wide), but do not use narrower elastic

TOOLS

- ◇ Ball-point or stretch machine needles

OPTIONAL TOOLS

- ◇ Walking foot for your sewing machine
- ◇ Serger machine
- ◇ Cover stitch machine to finish your hems
- ◇ Twin needles to finish your hems
- ◇ Woolly nylon threads to finish your hems

FABRIC REQUIREMENTS

Most natural fibers shrink in the wash; be sure to have enough fabric. The requirements below assume that the fabric is already pre-shrunk.

IMPERIAL/YARDS

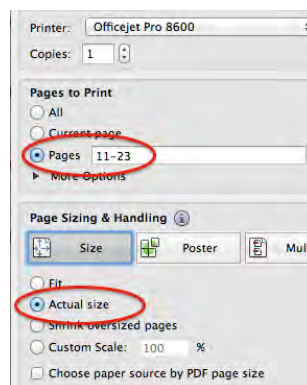
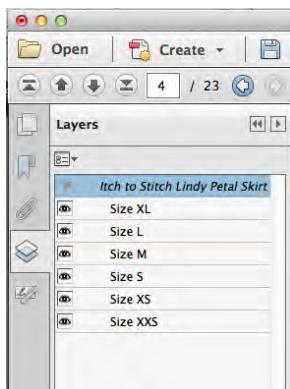
	XXS	XS	S	M	L	XL
60" Wide	¾	¾	1	1 ⅛	1 ¼	1 ¼
54" Wide	⅞	1	1 ⅛	1 ⅛	1 ¾	1 ¼

METRIC/CM

	XXS	XS	S	M	L	XL
150 cm Wide	70	70	90	100	110	120
135 cm Wide	80	90	100	100	120	120

PRINTING INSTRUCTIONS

1. This pattern includes layered pattern tiles that allow you to print only the sizes you need. In Acrobat Reader, click on the Layers icon on the left tab. Expand "Itch to Stitch Lindy Petal Skirt PDF Sewing Pattern." Next to each size is an eye icon. Uncheck the sizes you don't need, and leave the eye icon on for the size(s) that you want. As you toggle the eye icons on and off, you can see the pattern lines (on any page from 11 to 23) appear/disappear as a result.
2. Print Page 11 first to check the size by measuring the 1" x 1" or 2.5 x 2.5 cm scaling square printed on the pattern.
3. Make sure that you choose "Actual Size" or scale to 100% in the Print dialog box.
4. The pattern can be printed on either A4 or US Letter (8.5" x 11") size paper. A large format print shop version of the pattern is provided in a separate file.
5. If you wish to print the pattern tiles without the instructions, print only page 11 to 23.
6. Print from Adobe Acrobat Reader only. Make sure you have the latest updates (go to Help -> Check for updates). Do not print from a browser.

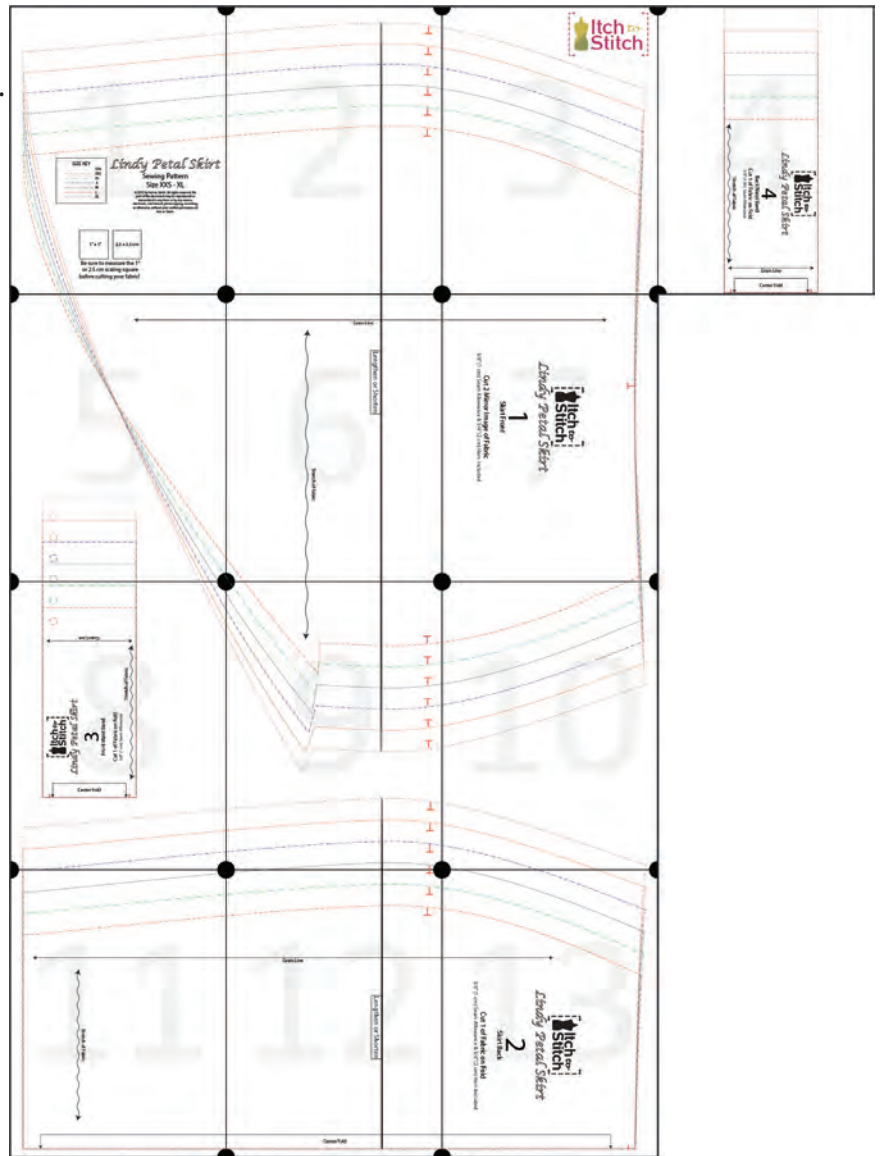


In Acrobat Reader, in the Layers tab, expand "Itch to Stitch Lindy Petal Skirt PDF Sewing Pattern" and check the eye icon to only see the size(s) you need.

In the Print dialog box, make sure that "Actual Size" (or scale to 100%) is selected. If you only wish to print the pattern tiles without the instructions, print only page 11 to 23.

TILE TAPING INSTRUCTIONS

- ◆ The pattern contains 13 pattern tiles.
- ◆ Each tile contains a watermark number. See the image on the right for an overview of where the tiles should be placed. You will have to fold or cut the paper in order to align the circles/tile edges.
- ◆ Not all rows have the same number of tiles; therefore, the outermost edges are marked by a thicker border to help you easily identify when a new row should be started.



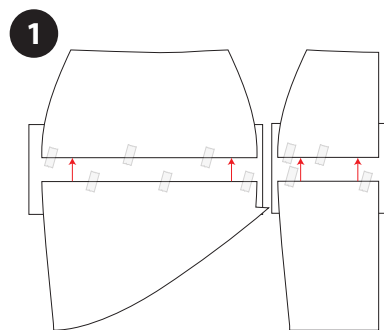
FABRIC CUTTING INSTRUCTIONS

Remember to pre-shrink fabric by pre-washing washables or steam-pressing non-washables. When "Cut 2" is indicated, mirrored images need to be cut. You can either place your pattern on folded fabric or flip your pattern piece to cut the second piece on single-layered fabric.

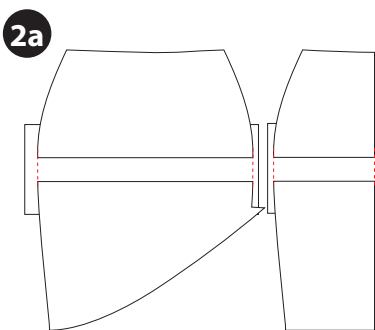
Pattern Piece	Primary Fabric
1 - Skirt Front	2 mirrored
2 - Skirt Back	1 on Fold
3 - Front Waistband	1 on Fold
4 - Back Waistband	1 on Fold

LENGTHEN/SHORTEN

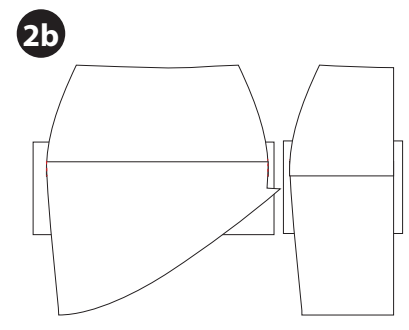
This pattern includes lengthen/shorten lines on the Skirt Front (1) and Skirt Back (2) pattern pieces if you want to add or remove length from the skirt.



Cut at the lengthen/shorten lines. Spread them apart for the desired added amount. Be sure each pair is still vertically aligned.



Draw lines to connect each pair, blending curved lines gradually.



Same method is used for shortening - overlap patterns instead of spreading them apart.

BLEND SIZES

You may need to choose different sizes for the waist and hip by blending from one size to another. First, print both sizes using the Layers function (see Printing Instructions on page 4). Then follow these instructions to blend sizes.

1

2a

2b

On your Skirt Front, draw a very gentle curve from one size in the waist to another size in the hip.

Fold the pattern in half loosely, and match the original lines. Trace your gentle curve onto the other side of Skirt Front.

Use the Skirt Front as a template, matching original lines, trace the gentle curve onto the Back Skirt too.

LAYOUT DIAGRAMS

PRIMARY FABRIC

60" (150 cm) Wide Size XXS, XS
54" (135 cm) Wide Size XXS

Step 1 Fold

Selvage

Step 2 (Use remaining fabric)

Fold

Selvage & Cut Edge

60" (150 cm) Wide Size S
54" (135 cm) Wide Size XS

Fold

Selvage

60" (150 cm) Wide Size M
54" (135 cm) Wide Size S, M

Step 1 Fold

Selvage

Step 2 (Use remaining fabric)

Fold

Selvage & Cut Edge

60" (150 cm) Wide Size L, XL
54" (135 cm) Wide Size L, XL

Fold

Selvage

Fold

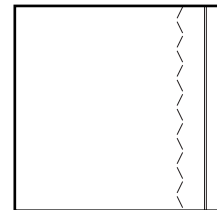
Selvage

Fold

MACHINE CHOICE

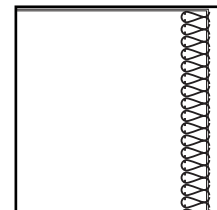
SEWING MACHINE

You can use a regular sewing machine to sew the seams--use a narrow zigzag stitch so that the seams will stretch slightly. I use a 2.5 mm long and 0.5 mm wide stitch. You will barely notice the width of the zigzags. Finishing the raw edges of the seams is not necessary since the knit fabric does not fray.



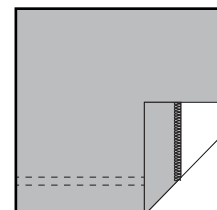
SERGER MACHINE

Instead of a regular sewing machine, you could use a serger to finish your seams. A serger trims the seam allowances, sews the seam, and overcasts the edge in one pass, so it is much faster than using your sewing machine. You can use the 3-thread or the 4-thread overlock stitch.



COVER STITCH MACHINE

The cover stitch machine can be used to sew the hems. A cover stitch looks like two rows of straight stitches on the right side and like a serger stitch on the wrong side. The benefit of a cover stitch is that it stretches with the fabric. But if you don't have a cover stitch machine, don't worry; you can still use your regular sewing machine to finish the hems--using either a zigzag stitch or a straight stitch with a twin needle.



SEWING INSTRUCTIONS

- ◇ Seam allowance is 3/8" (1 cm).
- ◇ Hem allowance is 3/4" (2 cm).
- ◇ For professional result, be sure to press your seams as you sew. It's really worth your time!
- ◇ You may choose to finish the seams by zigzagging, serging or other methods.
- ◇ In some parts, you could use a serger to serge or a sewing machine to stitch the seams. The instructions will specify to "stitch" - which means use a sewing machine; "serge" - use a serger; or "stitch/serge" - use either a sewing machine or a serger.

SEWING INSTRUCTIONS KEY

↔ Grain Line - place on straight grain of fabric parallel to selvage

T Notch - snip edge of fabric to mark notches

⇄ Place on fold of fabric

==== Lengthen or shorten line

~~~~~ Stretch of Fabric - place stretchier part of fabric in this direction

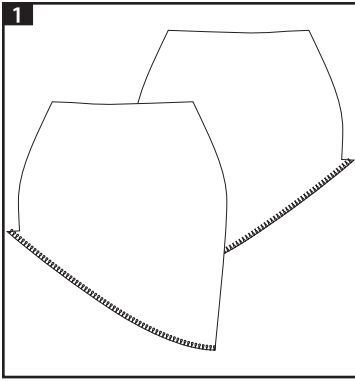
○ Halfway between center front and center back - guide for installing elastic



Right Side

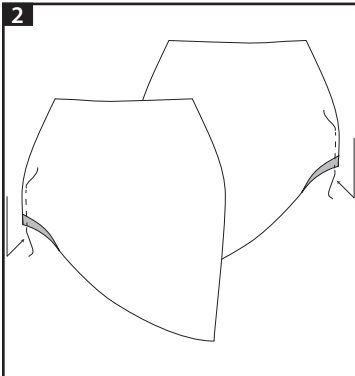


Wrong Side



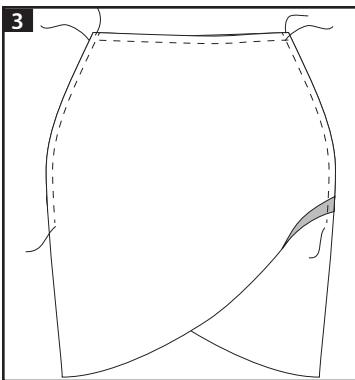
**1** If desired, finish the bottom raw edges of Skirt Front (1) by serging or zigzagging. Do not fold the hem up now.

Finishing will not be shown in the following illustrations.

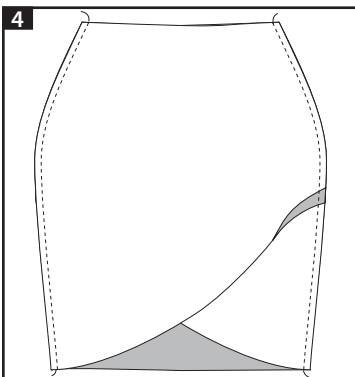


**2** Fold up the shorter side of the hem of Skirt Front (1). Pin and baste in place along at the side seam.

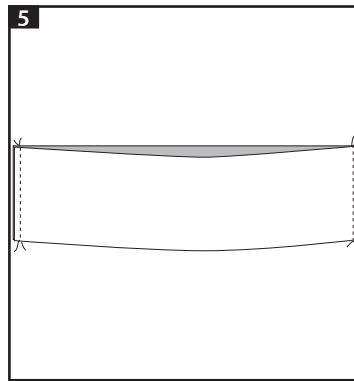
Repeat for the other side.



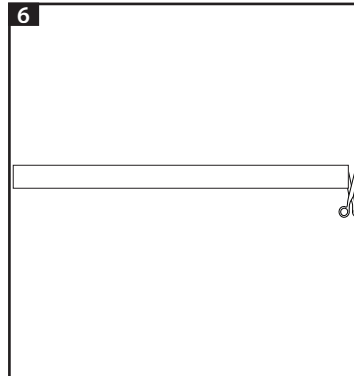
**3** Place one Skirt Front with wrong side facing up (choose which side based on your preference). Then place the other Skirt Front on top with wrong side facing up, matching notches. Baste them together. Treat as one in the following steps.



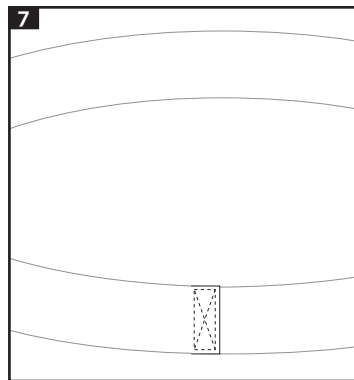
**4** If desired, finish the bottom raw edge of Skirt Back (2) by serging or zigzagging, but do not fold hem up. With right sides facing, pin and stitch/serge side seams of Skirt Front and Skirt Back together, matching notches. Press stitched seams open or serged seams toward back.



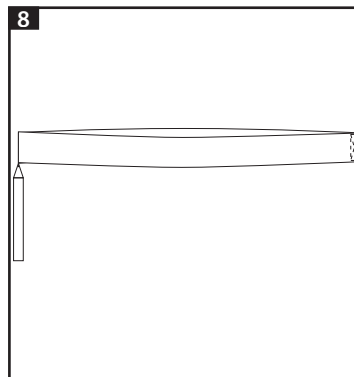
**5** With right sides facing, pin and stitch/serge both side seams of Front Waistband (3) and Back Waistband (4). Press stitched seams open or serged seams toward front.



**6** Cut a piece of elastic as long as your waist. Elastic should be snug, but not stretched while measuring.

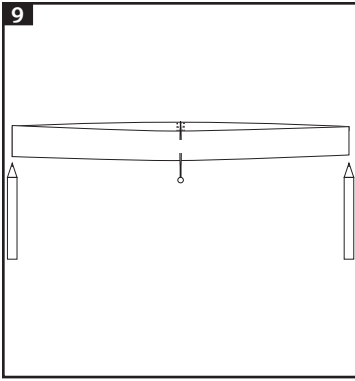


**7** Stitch the elastic into a loop, overlap by 1/2" (1.25 cm). Be careful not to twist the elastic. To secure, stitch a box with a cross inside.

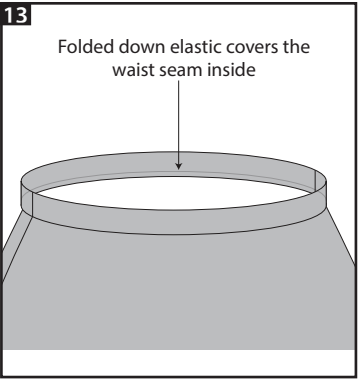


**8** Fold the elastic loop in half with the stitched connection on one end. Mark the other end.

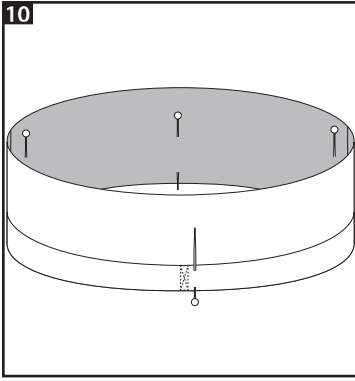




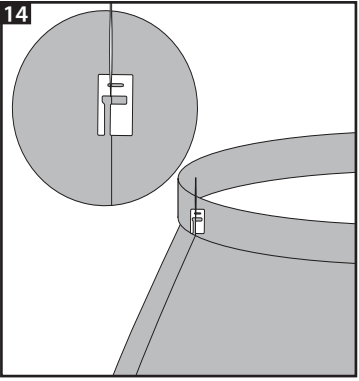
9 Fold the elastic loop in half again, aligning the marked point with the connection. Mark both folded sides. These two marks are the halfway points between the center front and center back, dividing the elastic into four quarters.



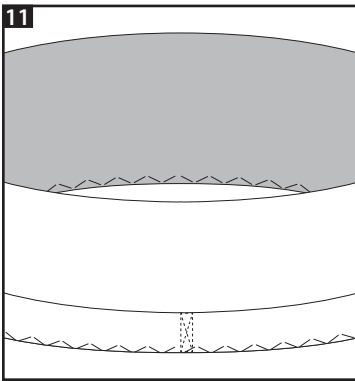
13 Fold elastic down so that it is sandwiched inside the waistband. The edge of the elastic reinforces the top edge of the waistband. The elastic also covers the waist seam.



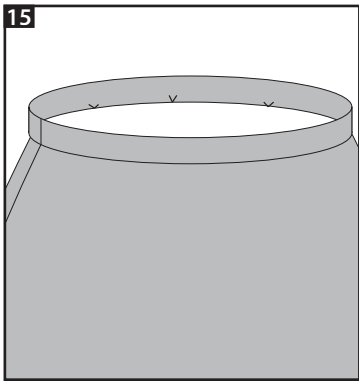
10 Pin elastic loop on wrong side of waistband, matching the connection with center back. The remaining three marks should be matched with: 1) one circle on Front Waistband; 2) center front; and 3) the other circle on Front Waistband. Edge of elastic is even with edge of waistband.



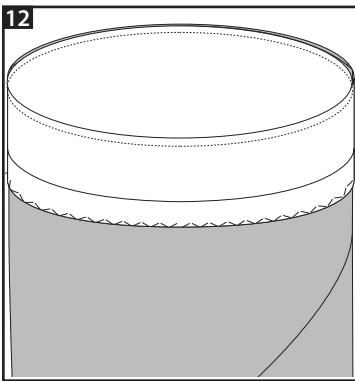
14 From the right side, stitch in the ditch vertically on both sides of the waistband to secure elastic.



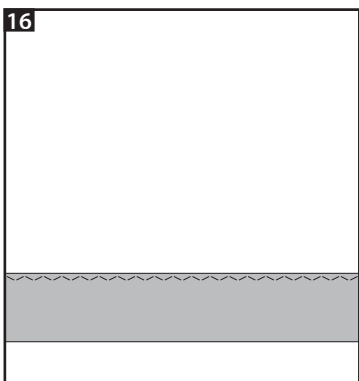
11 Serge/zigzag along the edge. You will need to stretch the elastic slightly to fit it to the waistband. Place more pins along the edge if they help you to distribute the elastic better.



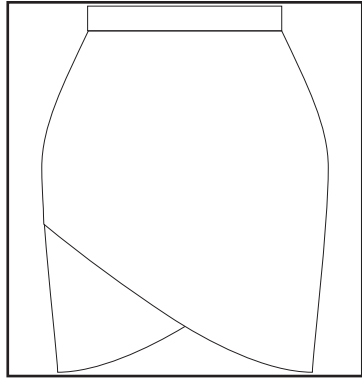
15 Although not necessary, optionally you could hand tack the waistband down inside at intervals.



12 With right sides facing, pin the waistband (no elastic side) and skirt together at the waist, matching notches and side seams. Stitch/serge along the waist. Flip waistband up and press seam toward waistband.



16 Press hem up. Use one of these methods: (a) zigzag stitch; (b) use a twin needle with two spools of thread; or (c) cover stitch by using a cover stitch machine. Optional: hand wind wooly nylon in the bobbin to be used with twin needles to increase stretchiness.



You are done! Put on your awesome skirt, admire your handiwork, smile and take a picture!

**Check out others' Lindy Petal Skirts, show off your own creation, discuss the pattern and trade tips with your fellow sewists**

**Website** [ITCH-TO-STITCH.COM](http://ITCH-TO-STITCH.COM)

**Facebook** [FACEBOOK.COM/GROUPS/ITCHTOSTITCHDESIGNS](https://FACEBOOK.COM/GROUPS/ITCHTOSTITCHDESIGNS)







**Instagram** [#LINDYPETALSKIRT](https://LINDYPETALSKIRT) [#ITCHTOSTITCHDESIGNS](https://ITCHTOSTITCHDESIGNS)

**Pinterest** [PINTEREST.COM/SEWITCHTOSTITCH](https://PINTEREST.COM/SEWITCHTOSTITCH)





SIZE KEY

|                                                                                     | Size |
|-------------------------------------------------------------------------------------|------|
|  | XXS  |
|  | XS   |
|  | S    |
|  | M    |
|  | L    |
|  | XL   |

# *Lindy Petal Skirt*

## Sewing Pattern

### Size XXS - XL

© 2015 by Itch to Stitch. All rights reserved. No part of this document may be reproduced or transmitted in any form or by any means, electronic, mechanical, photocopying, recording, or otherwise, without prior written permission of Itch to Stitch.

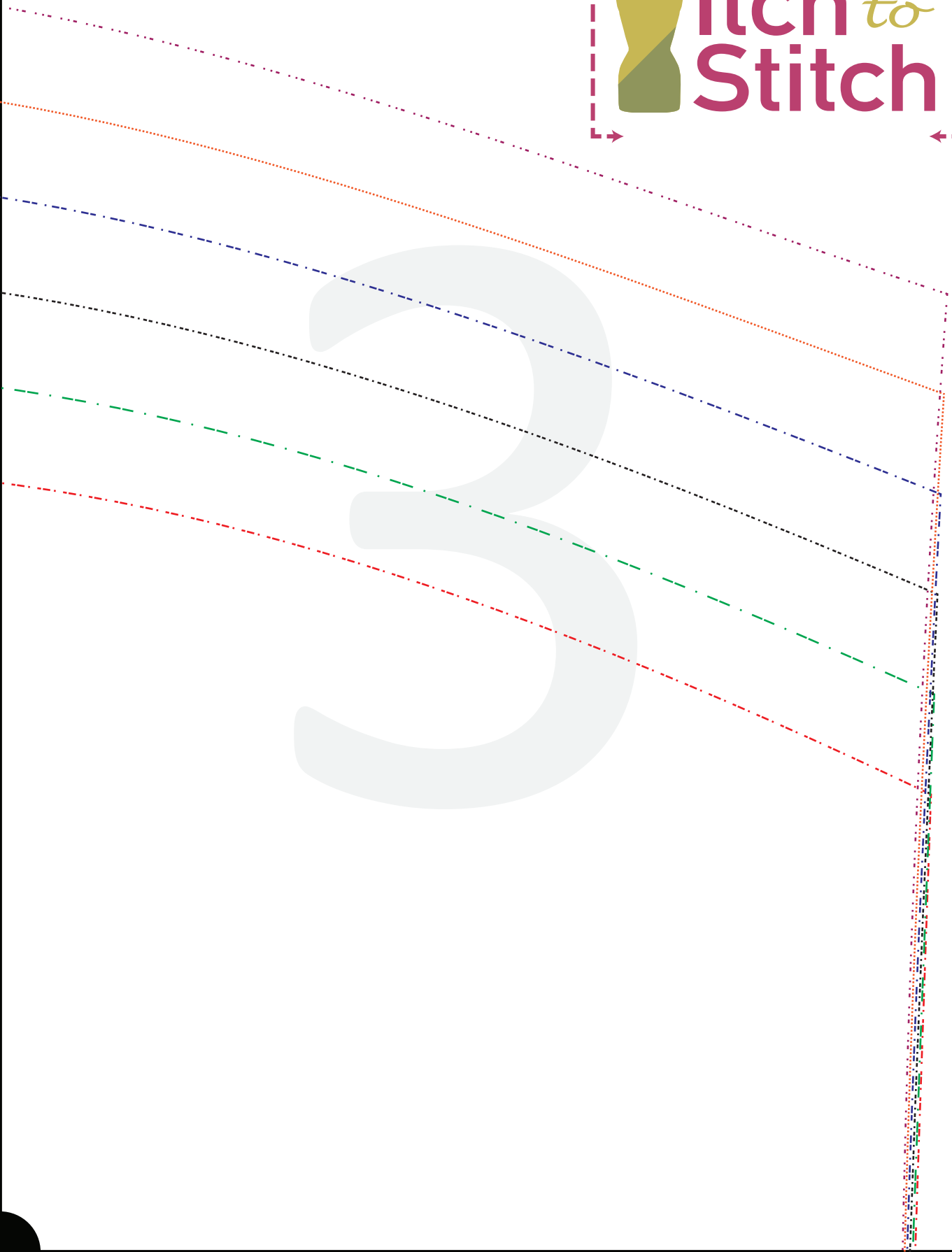
1" x 1"

2.5 x 2.5 cm

Be sure to measure the 1"  
or 2.5 cm scaling square  
before cutting your fabric!

2







# *Lindy Petal Skirt*

## 4

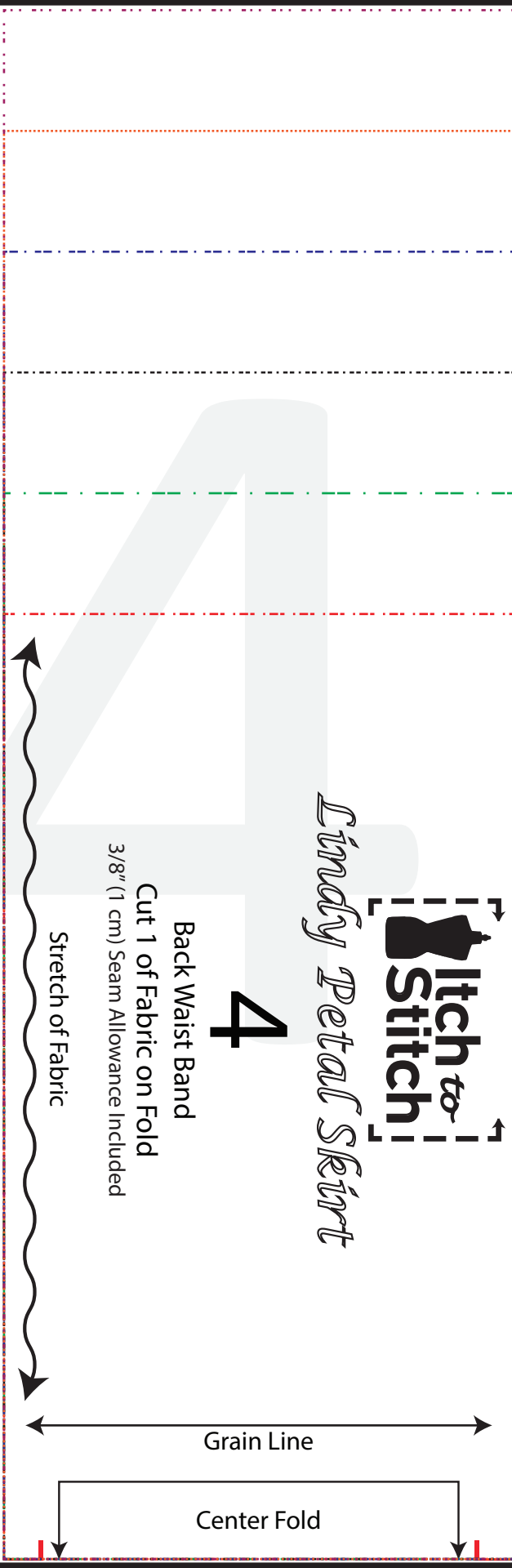
Back Waist Band  
Cut 1 of Fabric on Fold  
3/8" (1 cm) Seam Allowance Included

Stretch of Fabric

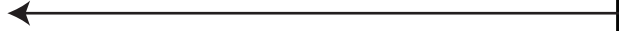


Grain Line

Center Fold



5

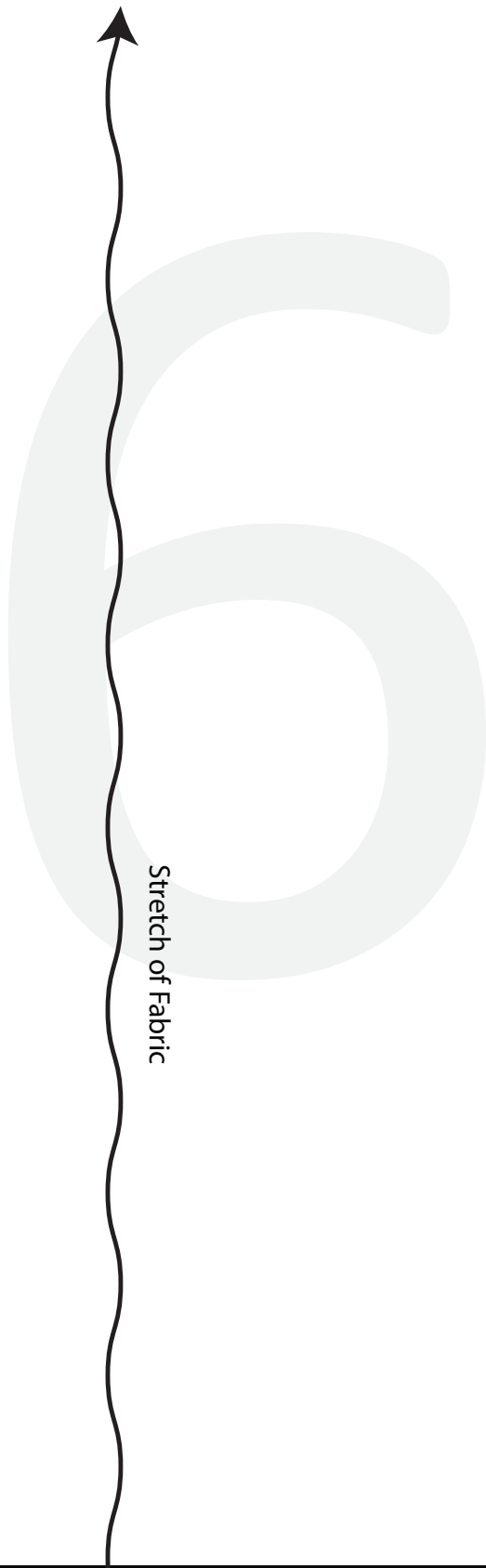


|   |
|---|
| ○ |
| ○ |
| ○ |
| ○ |

Grain Line

Lengthen or Shorten

Stretch of Fabric







# *Lindy Petal Skirt*

# 1

Skirt Front

Cut 2 Mirror Image of Fabric

3/8" (1 cm) Seam Allowance & 3/4" (2 cm) Hem Included



# Lindy Petal Skirt

## 3

Front Waist Band

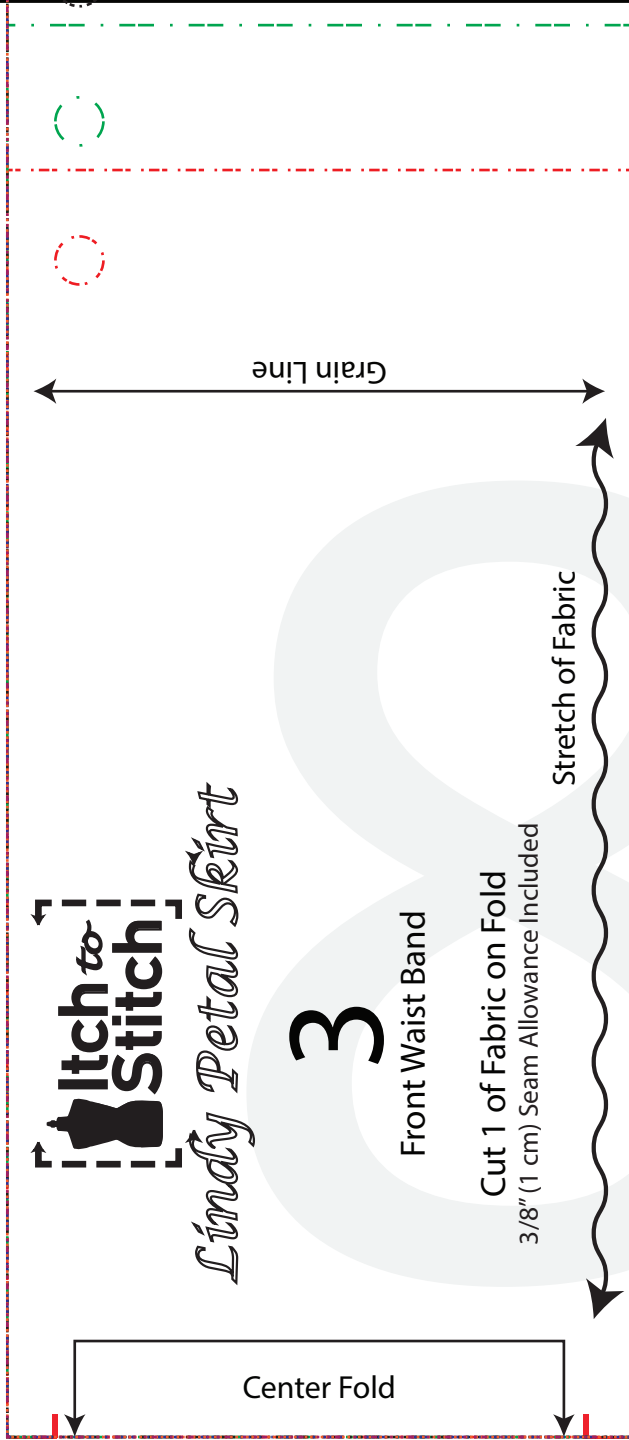
Cut 1 of Fabric on Fold

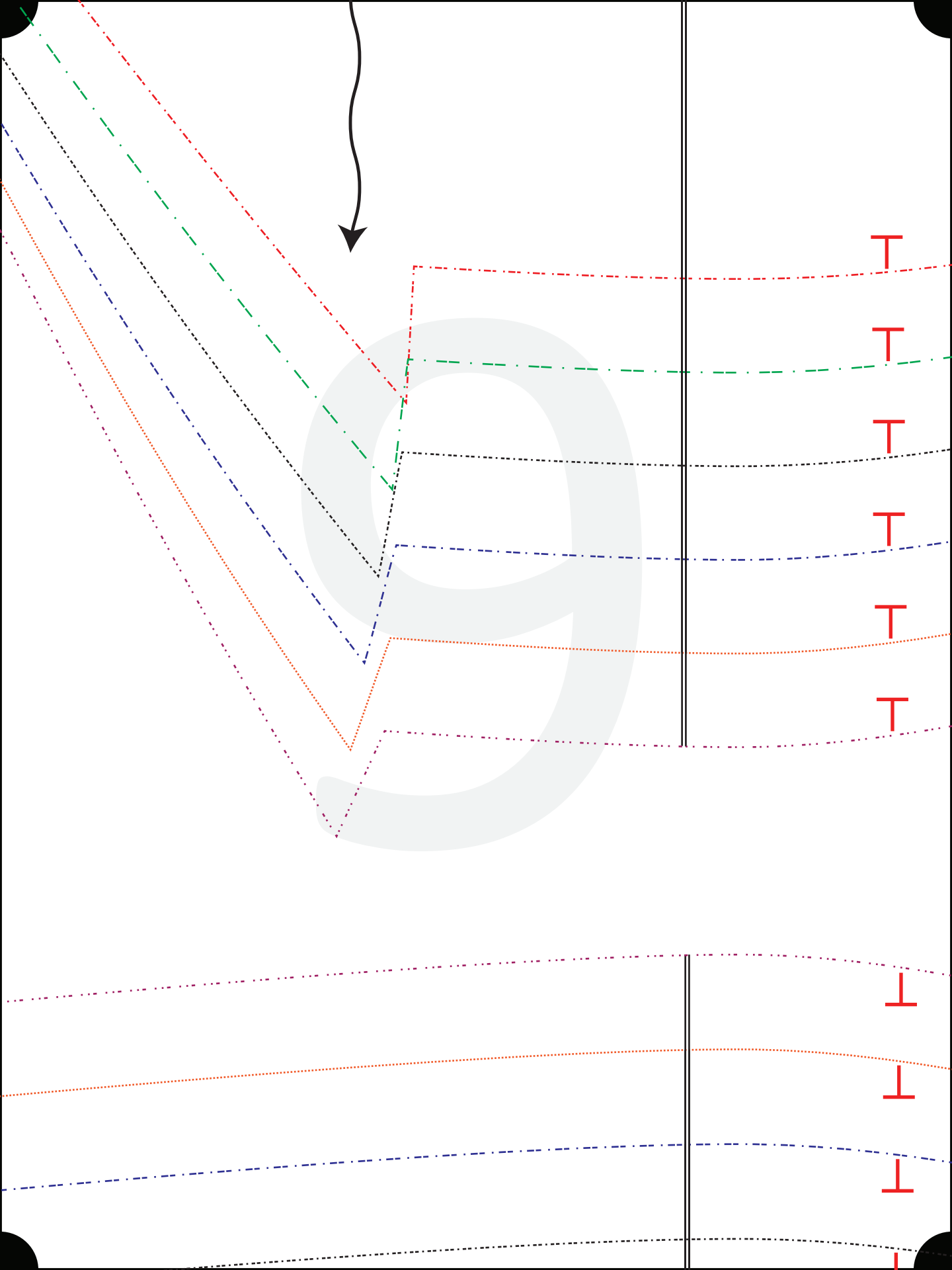
3/8" (1 cm) Seam Allowance Included

Stretch of Fabric

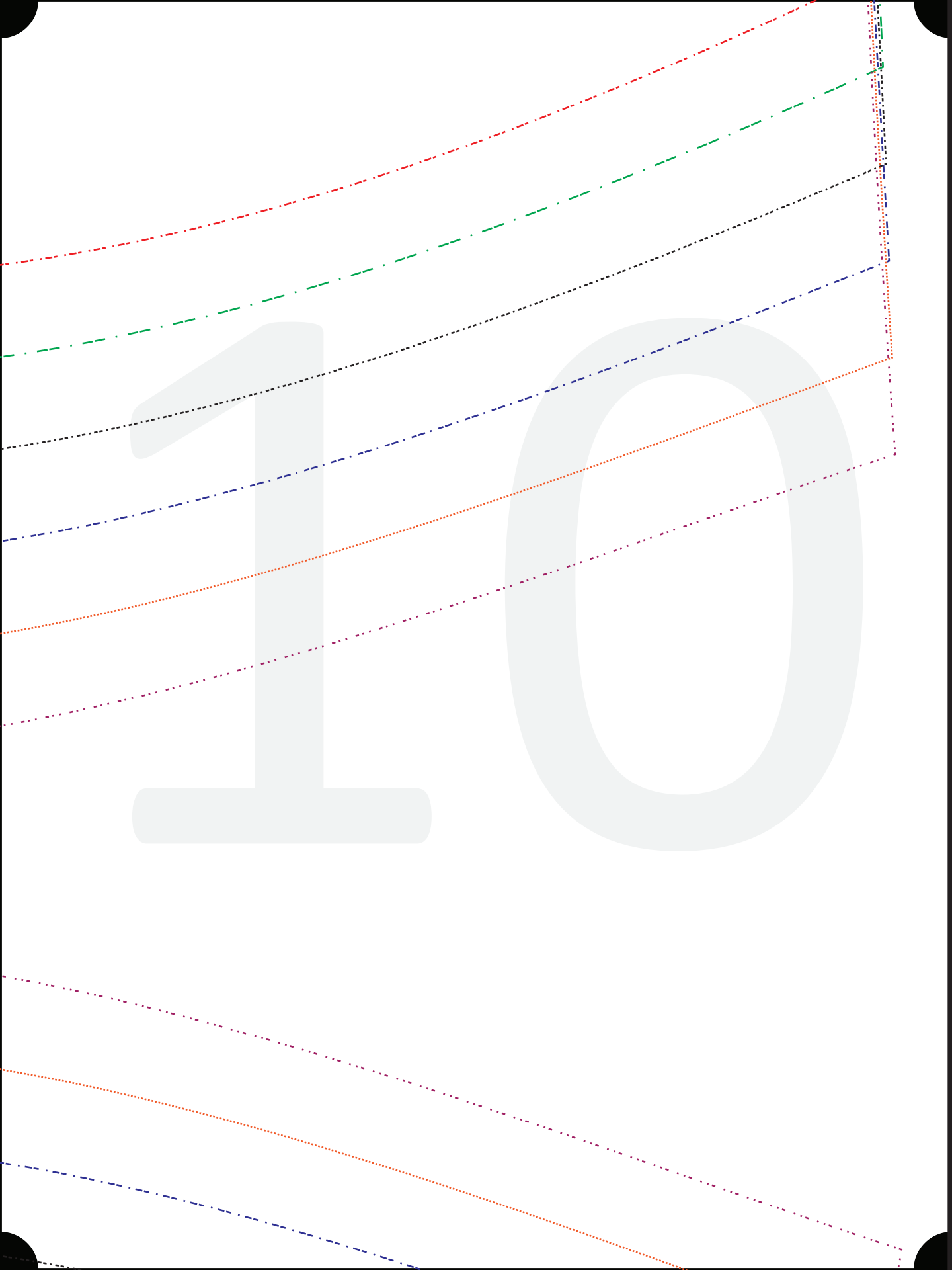
Center Fold

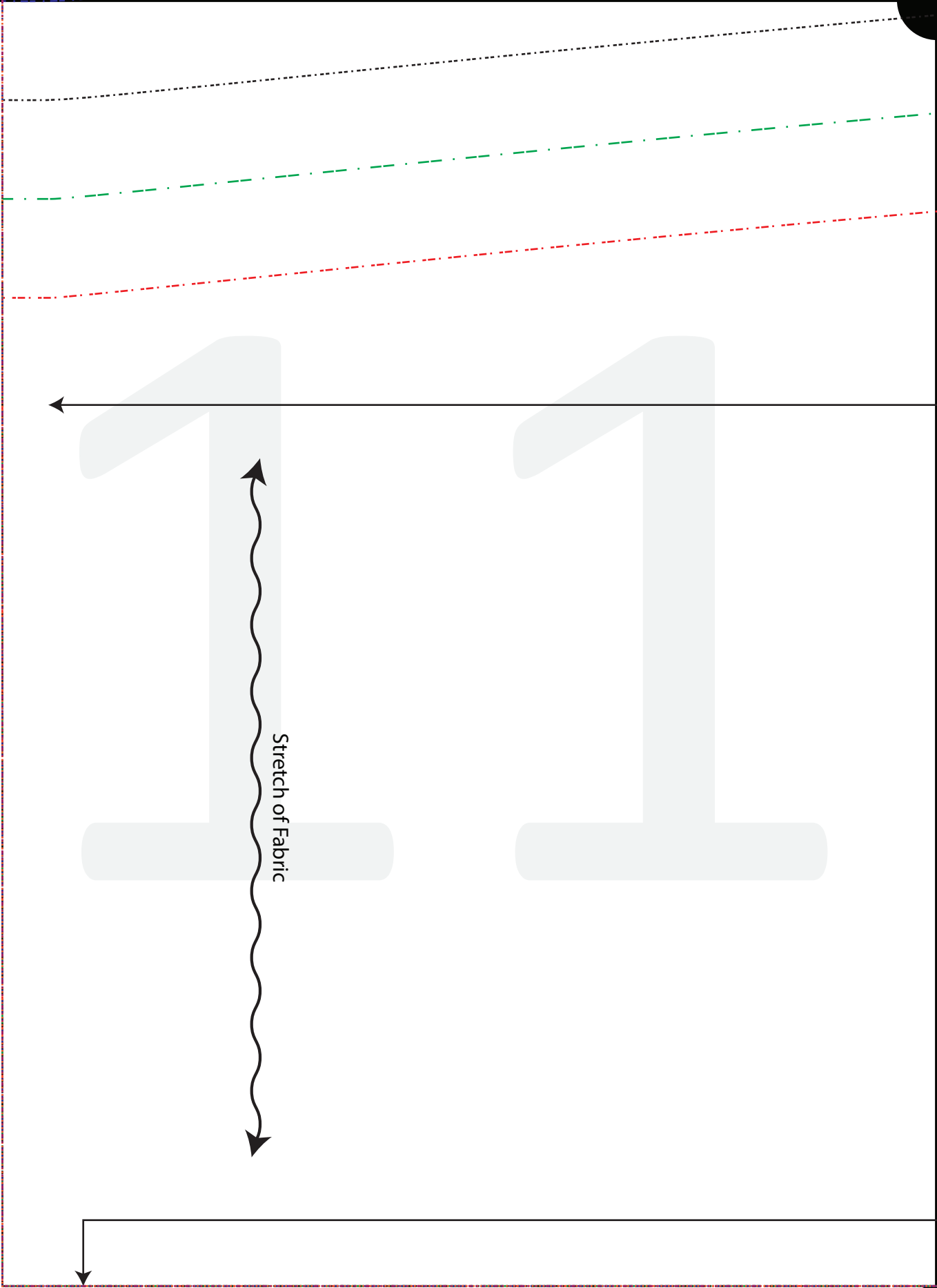
Grain Line

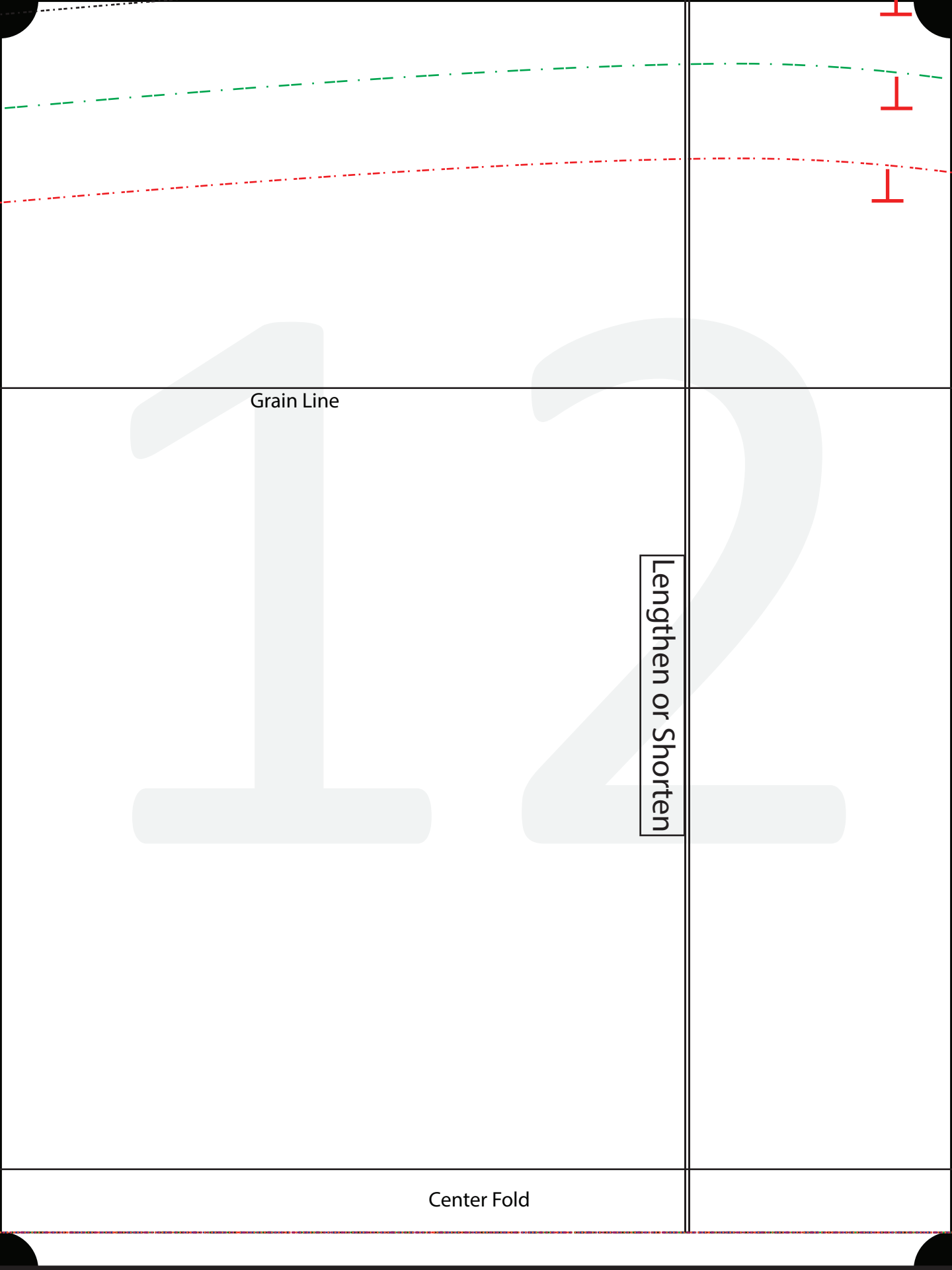




10







Grain Line

Lengthen or Shorten

Center Fold



# *Lindy Petal Skirt*

## 2

Skirt Back

Cut 1 of Fabric on Fold

3/8" (1 cm) Seam Allowance & 3/4" (2 cm) Hem Included

