

Girl's and
Women's
Bow Belt

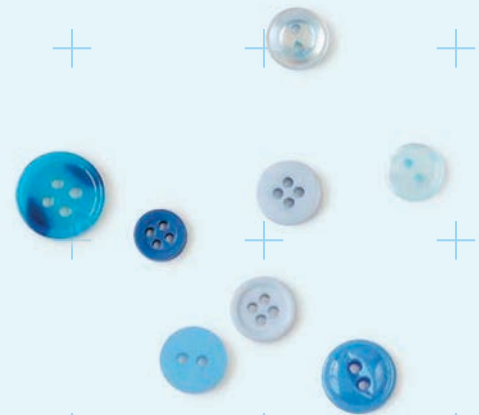
lisette

SEW YOUR STYLE



**A free project courtesy of
Lisette and Fabric Traditions**

Designed by Giulia Tissi for Lisette



Description

This easy-to-sew bow belt comes in two sizes, small (girl's size) and large (women's size). The girl's belt is 1" wide, with the bow approximately 7 1/2" wide by 2 1/4" high. The women's belt is 2" wide, with the bow approximately 7 1/2" wide by 4 1/4" high. The bow itself can be used to embellish all sorts of projects—a handbag, hairband, dress, or blouse. We used it on a belt, but use your creativity to embellish other projects as well.

Supplies & Tools

- 1 yd. of Fabric A (3/4 yd. for girl's size)
- 1 yd. of Fabric B (3/4 yd. for girl's size)
- 1 spool of coordinating Thread
- 1 yd. medium-weight Fusible interfacing
- 2 (for girl's—size small) or 4 (for women's—size large) 1/2"-diameter snap fasteners

Pattern Pieces

- Bow small or large: cut 1 fabric A, cut 1 fabric B
- Tie: cut 1 Fabric A

Notes

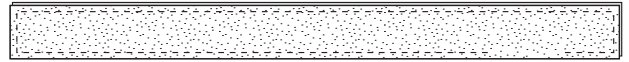
- No pattern piece is provided for the belt, which is cut from fabric A according to the directions below
- For this project, the seam allowances are 1/4"

Directions

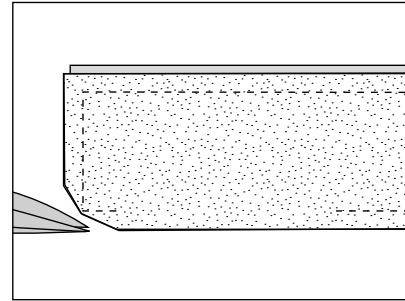
Make the Belt

1. Measure your waist, and add 2" to this measurement to determine the length of the fabric strips you'll cut for the belt. From fabric A, cut two strips that are the necessary length and 1 1/2" wide for a girl's belt or 2 1/2" wide for a women's belt, and cut another strip using these same measurements from the interfacing.
2. Fuse the interfacing to the wrong side of one of the fabric strips. This interfaced strip will become the belt's facing.

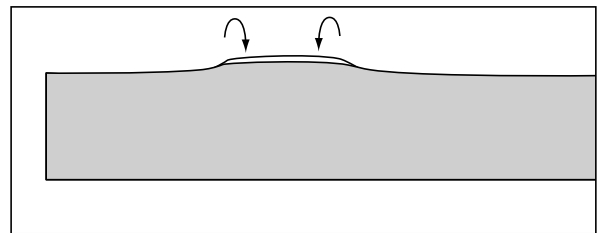
3. Pin the belt to the facing, with right sides together, and stitch around all the edges with a 1/4" seam, leaving a 3"- to 4"-long opening (for turning the belt right side out) along one long edge, away from the corners.



4. Trim the corners, being careful not to cut too close to the stitching line. Turn the belt right side out, gently pushing out the corners with a knitting needle or chopstick. Finger-press the edges, and then press them with an iron.

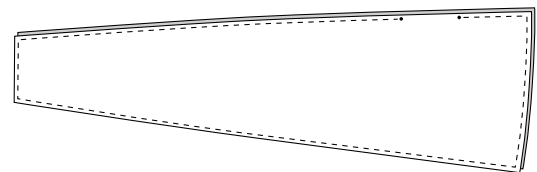


5. Press the seam allowances at the opening, so they're even with your stitched edge; then hand-stitch the opening closed with a slipstitch or blindstitch. Alternatively, after pressing under the seam allowances, edgestitch the entire belt to finish it and simultaneously close up the opening.

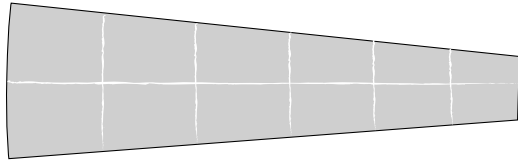


Make the Bow

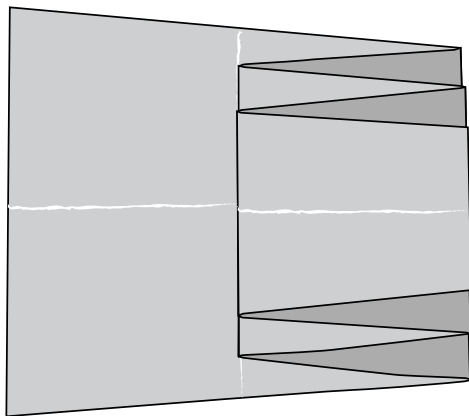
1. Pin the cut fabric A and B bow pieces, with right sides together. Take care not to stretch the pieces as you work with them since they're cut on the bias. Stitch around the outside edge with a 1/4" seam allowance, leaving the section between the dots open.



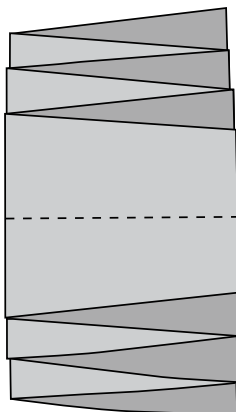
2. Trim the corners, being careful not to cut too close to the stitching line. Turn the bow right side out, gently pushing out the corners with a knitting needle or chopstick. Finger-press the edges before pressing them with an iron. Tuck the seam allowances inside the opening, and press them even with the stitched edge. Hand-stitch the opening with a slipstitch or blindstitch. Using tailor's chalk or a water-soluble fabric-marking pen, transfer the markings for the center front and the folds from the pattern piece onto the bow.



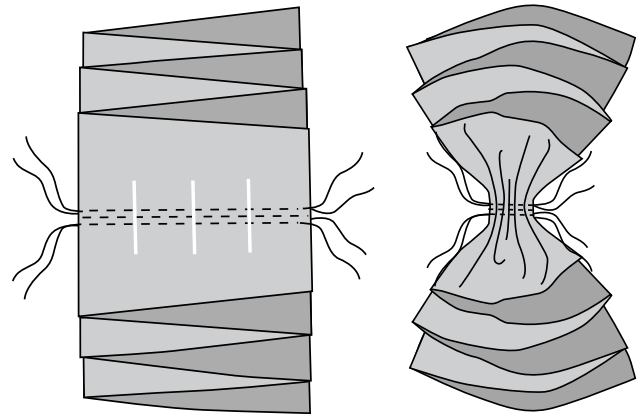
3. Start accordion-folding the bow along the markings you transferred from the pattern piece (every 2¼" for the girl's bow and 4¼" for the women's bow), beginning at the narrowest edge, with fabric A facing you and keeping the center line aligned for each fold.



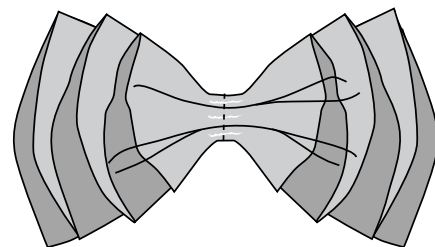
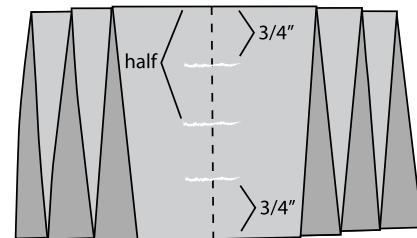
4. Adjust the folds to be even, if necessary, and pin or baste along the center line.



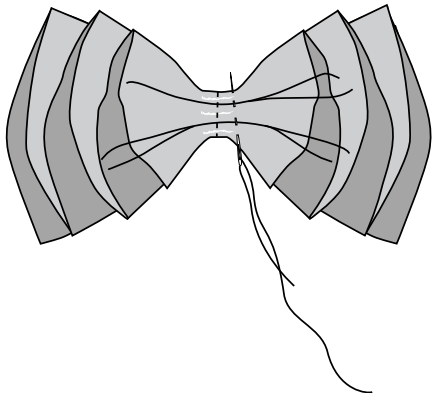
5. *For the girl's bow:* Stitch a row of gathering stitches 1/8" from each side of the center front, and gently pull on the thread tails to cinch up the bow a little at the center.



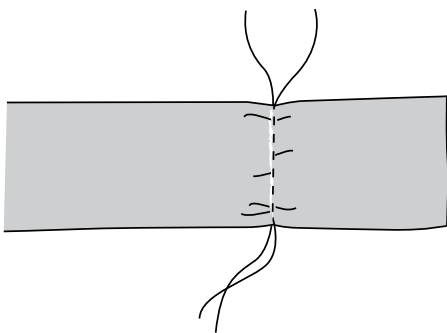
For the women's bow: Cinch up the center of the bow by making two pleats as follows: Using tailor's chalk or a water-soluble fabric marker, mark the center and ¾" from each edge across the center basting line. Fold along the outer (¾") marks, and bring the folds to meet at the center mark. (Note that, because of the many layers of fabric you'll have a very "round" fold.)



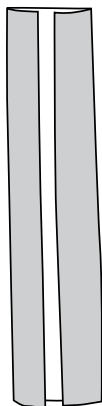
6. Hand-stitch the front and back of the bow to hold the folds or gathering stitches in place. You may need a thimble and strong thread for this step since you're stitching through many thicknesses of fabric.



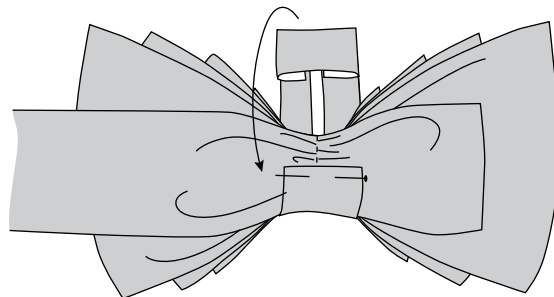
7. Using tailor's chalk or a water-soluble fabric-marking pen, draw a line 2½" from one short edge of the belt. This will be the bow's placement line on the belt. Stitch one row of gathering stitches along the placement line, and pull up on the thread tails to cinch the belt. Knot the thread tails together at each end when the belt has been cinched to approximately the same width as the bow.



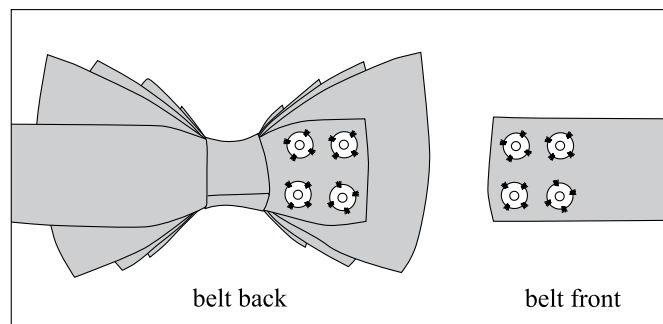
8. Fold and press each of the tie's long edges ½" to the wrong side.



9. Hand-stitch the tie and the bow to the belt, folding one short end of the tie to the wrong side and hiding any raw edges peeking out.



10. Transfer the snap placement markings from the pattern to both ends of the belt. Stitch the snaps to the belt, as shown in the illustrations.



Lisette Discussion Forums

For answers to sewing questions, visit our discussion forums at: www.sewlisette.com/forums

TO TILE THE PATTERN PIECES

Cut out all pattern pieces on the following pages. If a piece bleeds over the gridded area, trim the edge from the piece so that only the grid remains. Join the piece to another near the matching letters using the grid lines to align the pieces.

women's bow-belt

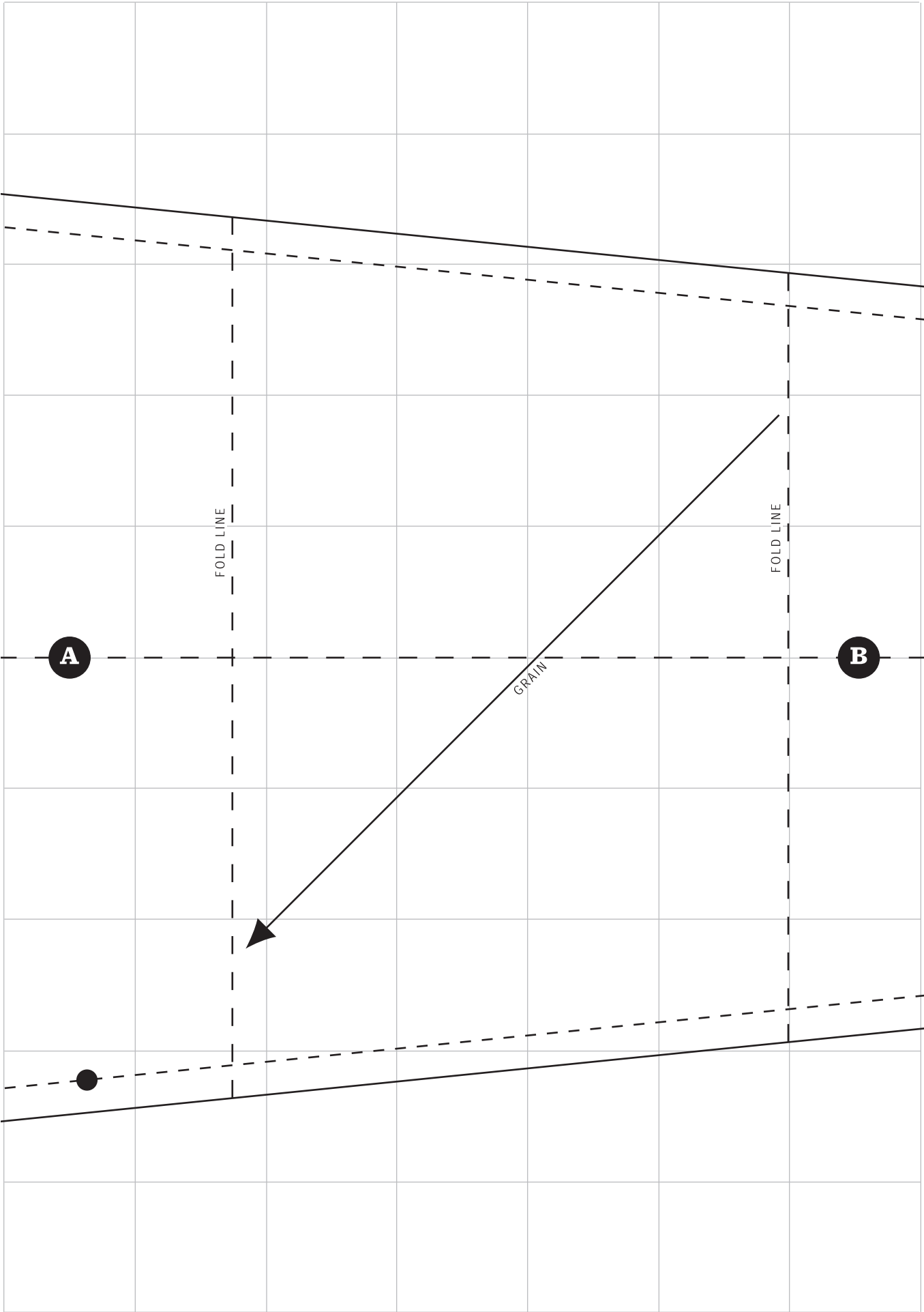
cut 1 on bias, fabric A
cut 1 on bias, fabric B

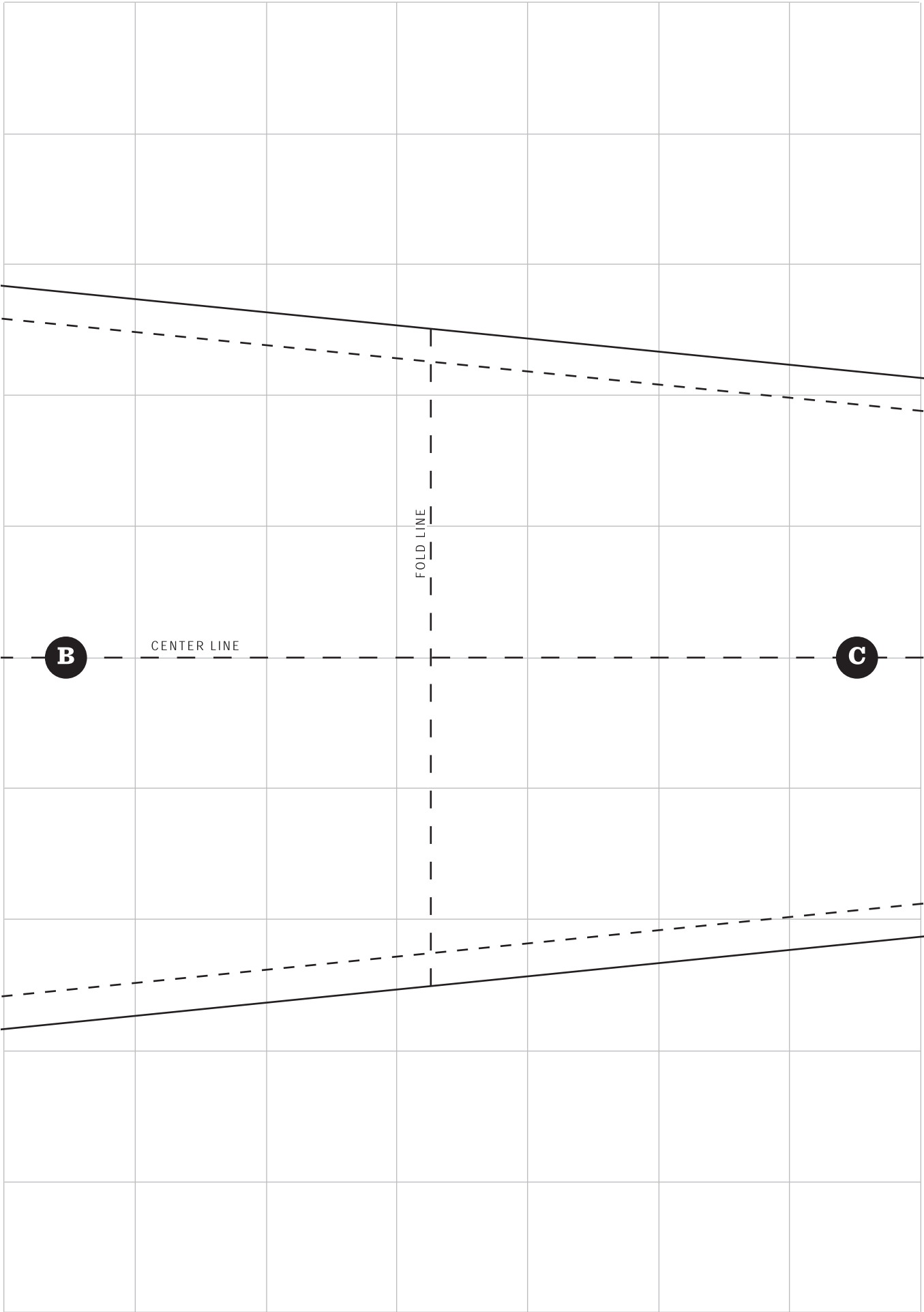
FOLD LINE

A

1" TEST SQUARE

On subsequent pages,
all grid lines form 1"
squares



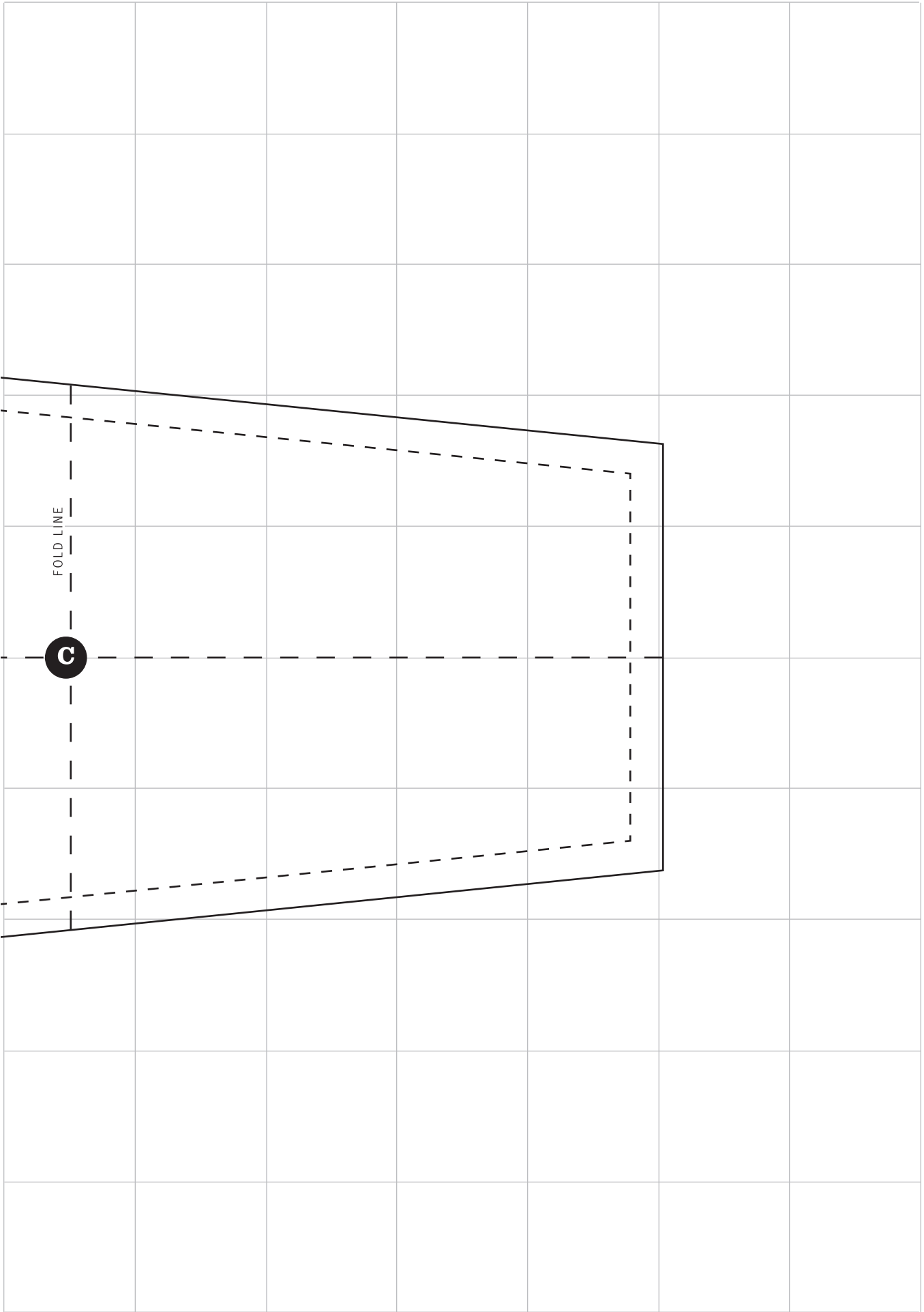


B

CENTER LINE

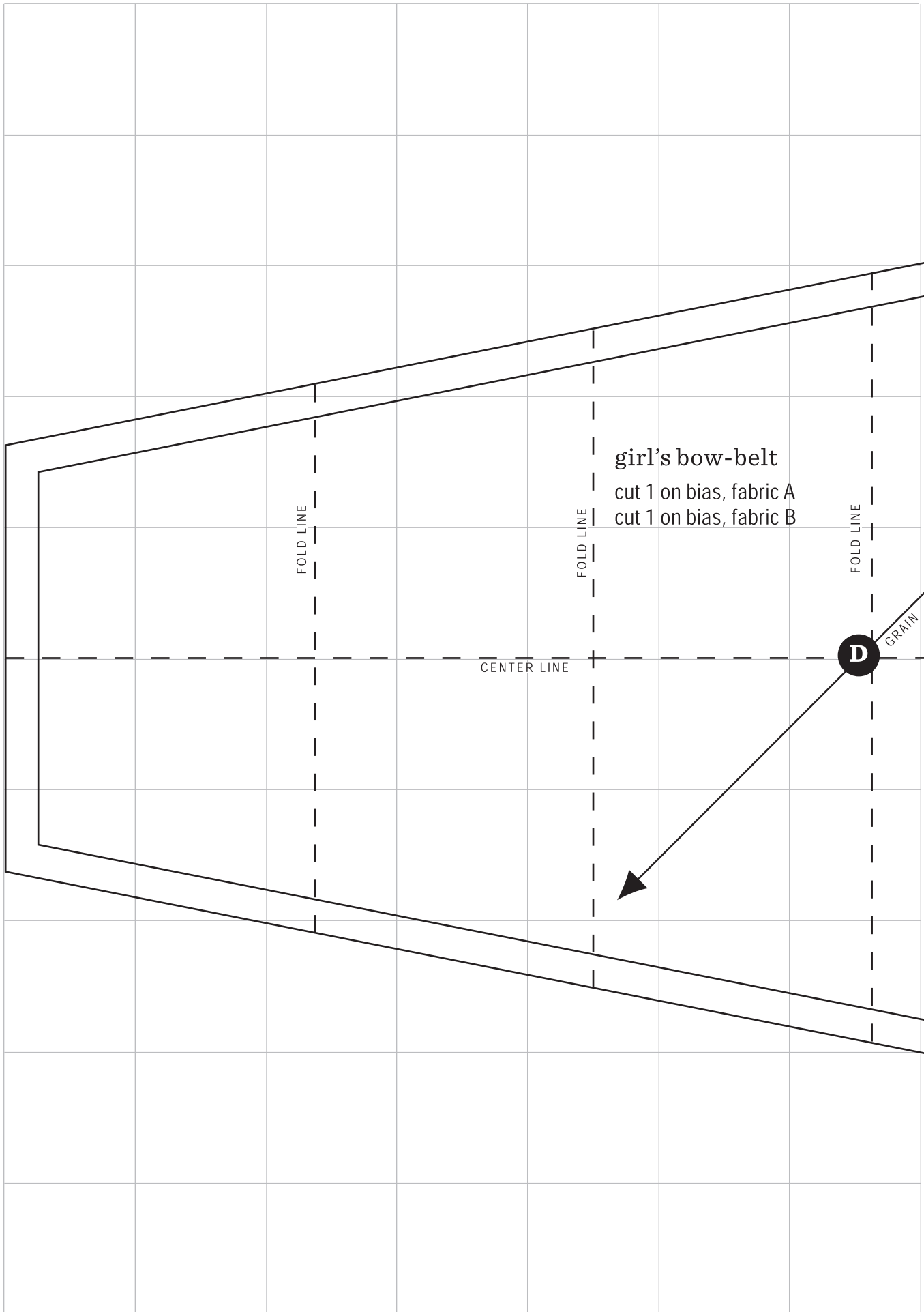
FOLD LINE

C



FOLD LINE

C



girl's bow-belt
cut 1 on bias, fabric A
cut 1 on bias, fabric B

FOLD LINE

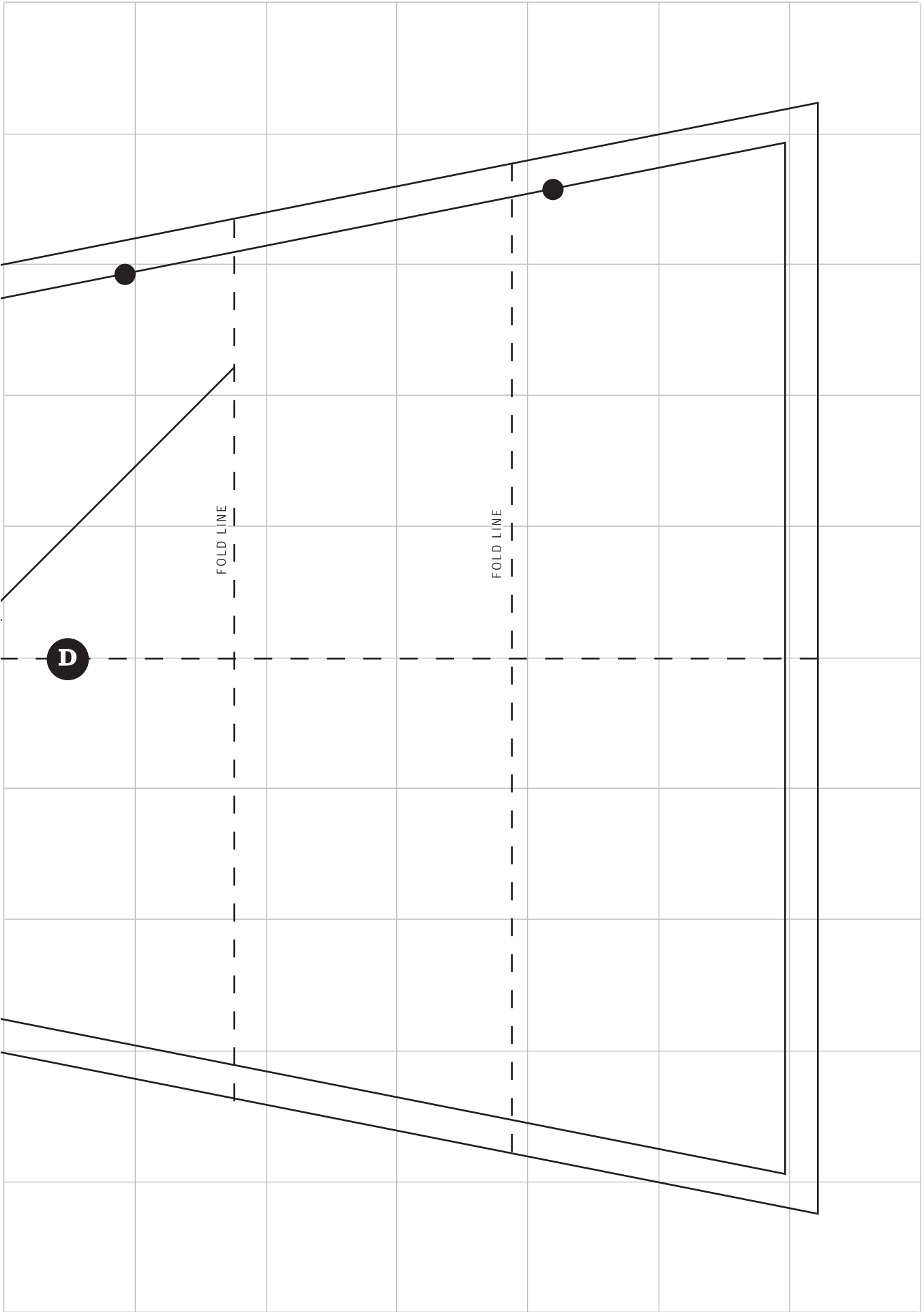
FOLD LINE

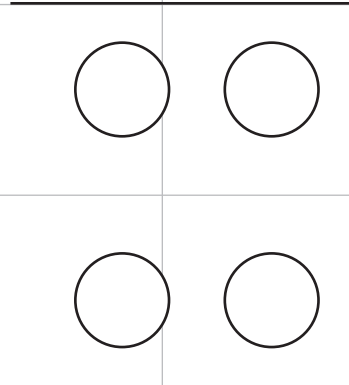
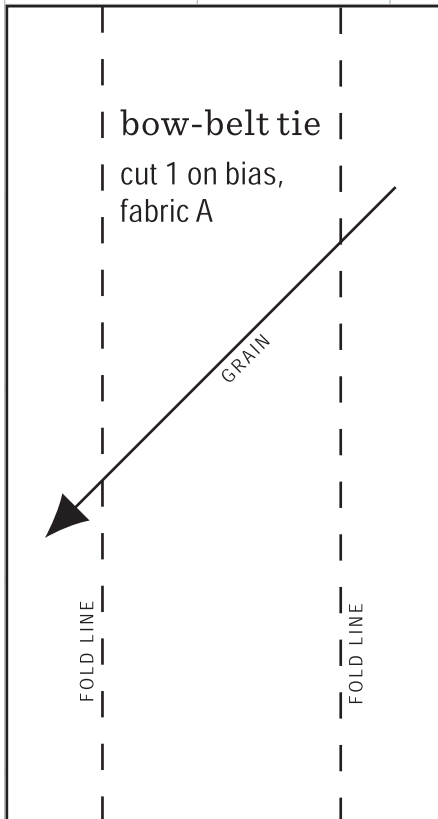
FOLD LINE

CENTER LINE

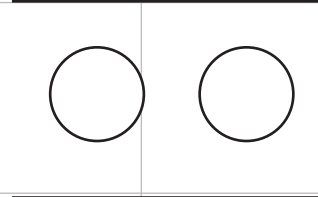
D

GRAIN





bow-belt
snap-placement template
women's belt



bow-belt
snap-placement template
girl's belt